

Technical Data



PVI1300TL
PVI1800TL
PVI2300TL
PVI2700TL
PVI3000TL

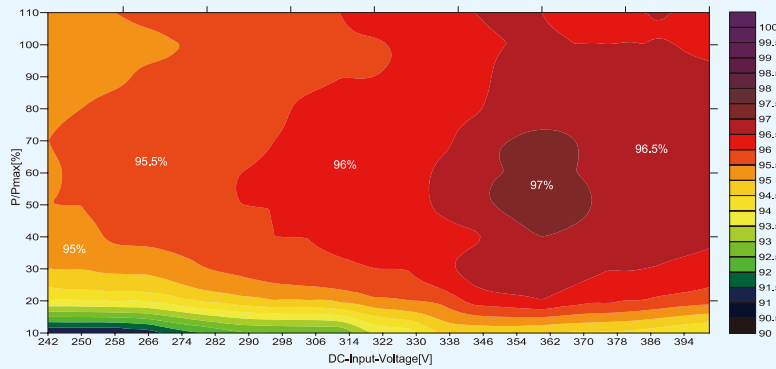
Features:

- > Max efficiency 97.1%
- > High efficiency across wide operation range
- > Wide range of input DC and MPPT voltage
- > Low turn-off DC voltage
- > IP65 protection against water and dust
- > DC switch option

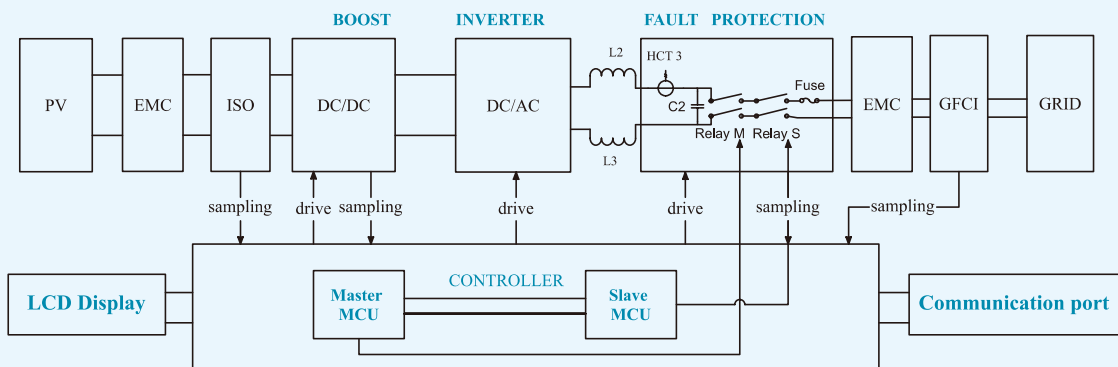
Certificates and Approvals:

CE, VDE AR-N-4105, VDE 0126-1-1+A1, G83/1, G83/2, AS4777, ENEL, RD1663, IEC61727, UTE C15-712, MEA, PEA, CQC, ROHS, REACH

Efficiency Curve (PVI1800TL):



Circuit Diagram:



PVI Series

PVI1300TL / PVI1800TL / PVI2300TL / PVI2700TL / PVI3000TL

Model	PVI1300TL	PVI1800TL	PVI2300TL	PVI2700TL	PVI3000TL
Rated AC power	1000 W	1500 W	2000 W	2500 W	2800 W
Maximum AC power	1100 W	1650 W	2200 W	2750 W	3080 W
Input					
Maximum input power	1300 W	1800 W	2300 W	2900 W	3200 W
Maximum DC voltage in an open circuit	450 Vdc	450 Vdc	500 Vdc	500 Vdc	500 Vdc
MPPT operating range	90 - 400 Vdc	125 - 400 Vdc	125 - 450 Vdc	125 - 450 Vdc	125 - 450 Vdc
Maximum input current	18,4 Adc	18,4 Adc	18,4 Adc	20 Adc	20 Adc
Startup voltage	60 Vdc	90 Vdc	90 Vdc	90 Vdc	90 Vdc
DC switch	optional	optional	optional	optional	optional
Initial feeding voltage	90 Vdc	150 Vdc	150 Vdc	150 Vdc	150 Vdc
Number of inputs	2	2	2	2	2
MPPT number	1	1	1	1	1
Output					
Operating voltage	230 Vac	230 Vac	230 Vac	230 Vac	230 Vac
Number of grid phases	1	1	1	1	1
Voltage range	180 - 270 V				
Frequency range	50 Hz, 60 Hz / -5 Hz...+5 Hz				
Power factor	>0,99				
Maximum current	6 Aac	8,4 Aac	11,3 Aac	14 Aac	15,7 Aac
DC current injection (max.)	<20 mA	<20 mA	<20 mA	<20 mA	<20 mA
Current Harmonic Distorsion (THDi)	<1%	<1%	<1%	<1%	<1%
System					
Maximum efficiency	>97,1%	>97,1%	>97,1%	>97,1%	>97,1%
European efficiency	>96,5%	>96,5%	>96,5%	>96,5%	>96,5%
Switching plan	self-commutated, transformerless				
Off-grid protection	Yes	Yes	Yes	Yes	Yes
Night power consumption	<0,2 W	<0,2 W	<0,2 W	<0,2 W	<0,2 W
Detecting earth leakage	Yes	Yes	Yes	Yes	Yes
Heat dissipation	Convection	Convection	Convection	Convection	Convection
Mechanical Spec.					
Dimensions in mm	380 x 320 x 140				
Weight	14 Kg	14 Kg	14 Kg	14 Kg	14 Kg
Protection class	IP65				
Display	LCD 2 x 16 characters				
Function key	1				
Data interface	RS232 / RS485 / Ethernet / WiFi / GPRS				
Thermal protection	Yes				
Noise emission	<35 dB (silent operation)				
Ambient operating temp.	-20 °C - +60 °C (>45 °C derating)				